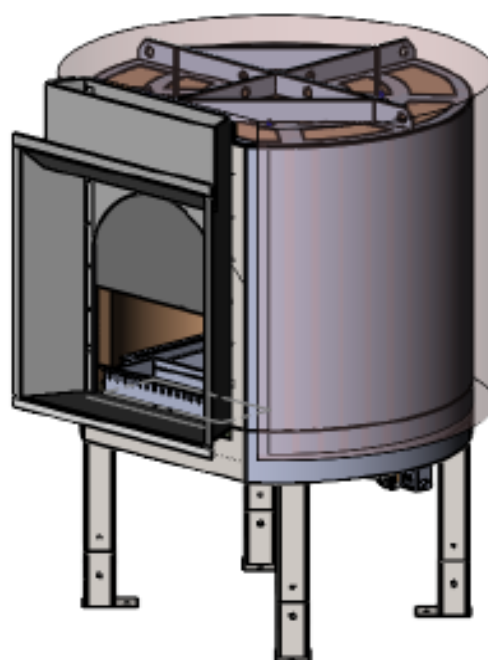


Manufacturer	Phoenix Ovens, Australia	
Model No.	DK1100JC	
Description	Round Duck Oven with Stone Hearth Floor	
Purpose	Oven used to cook Peking Duck, Char Sui Pork, other Meats and Dishes	
Fuel Options	Full Gas, Combination Gas & Wood	
Gas Requirements	80mj (75,825 Btu) Thermostatically Controlled Infinity Gas Display Burner	
Exhaust Requirements	Under Canopy/Hood or Direct Connect via Phoenix Spray Filter fitted with Thermal Interlock Sensor, to a grease rated exhaust fitted with a suitable power fan (supplied by others) <i>The exhaust is best in a dedicated system. It is critical that ductwork be installed in accordance with local regulations.</i>	
External Dimensions	1450mm (W) x 1480mm (D) x 1888mm (H)	Oven Weight (Approx.) 2150kg
Internal Dimensions	1100mm Diameter	
MEP Ratings	Gas Connection: 19mm (3/4") Line Electrical (wall socket): 230-240V (Single Phase) 10amp	UNDER CANOPY/HOOD or Direct Exhaust Connection: 300mm x 300mm Universal Duct. 700L/s. 150 Pa
Compliance	The oven and gas system are CE & AGA compliant	
Warranty	4 Year Structural Guarantee, 12 Months for Gas System & Components	
Safety Notes	The oven must be vented in accordance with local and/or national codes All gas systems fitted with flame failure, thermal interlock sensor and pressure differential switch for safety Oven façade/enclosure is to be constructed from non-combustible (fire-rated) materials Ventilated access panels required both above and below the oven (min. size 600mm x 600mm)	
Manufacturer Materials	High quality ceramic materials fully enclosed in a 5mm mild steel external shell. One piece cast ceramic ceiling. The cooking surface is constructed using high quality ceramic alumina bricks	

STANDARD FEATURES & OPTIONS

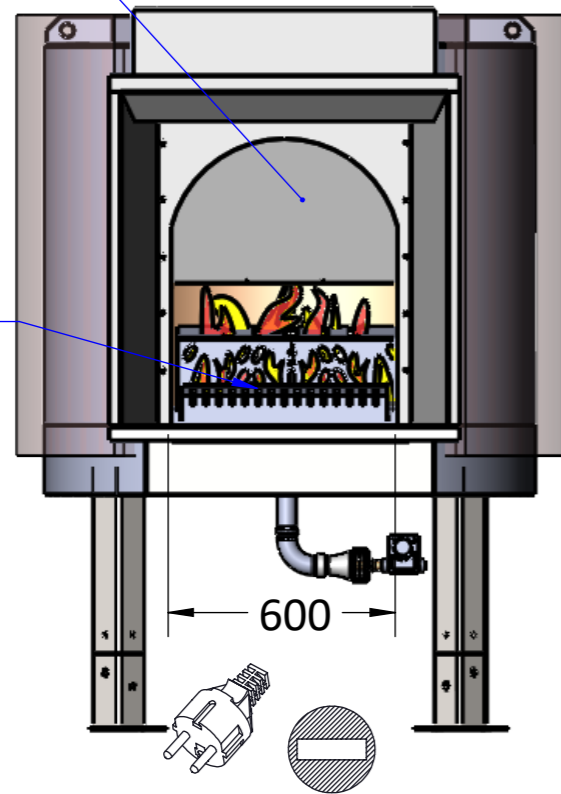
- Thermostatically controlled gas system with easy to use compact digital temperature control panel, remote mount option available.
- Unique exhaust design with advanced safety features.
- Traditional style fire grate for oven mouth, wood/charcoal can be used but not necessary for heat source.
- Accessory Kit Included: removable SS drip tray, hooks, tool set.
- 1 Piece Stainless Steel Hearth and Lintel surround for oven mouth. Easy and safe integration with architectural facade.
- 2 Part assembly for easy installation. All ovens can be designed for transport through doorways, lifts & staircases.
(Please advise prior to order as alteration may be required)
- Internal Spotlight included as a standard feature.
- Optional Direct Exhaust Connection via Spray Filter accessory.
- Optional extras available: viewing window.



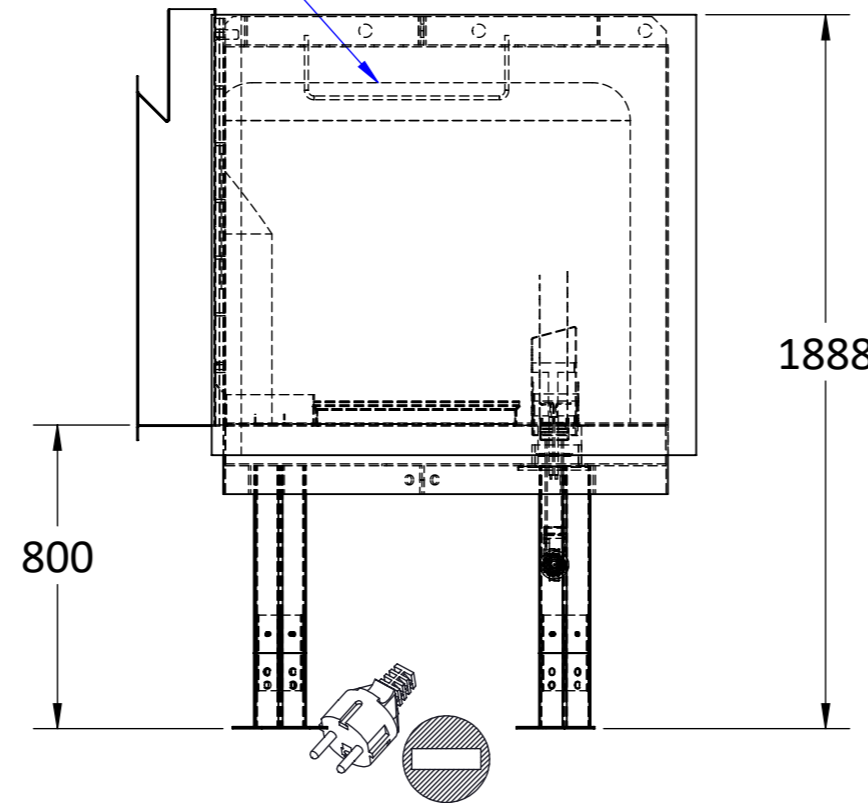
Approx. 8 DUCK CAPACITY

Cooking Time 50 - 60 mins (based on oven operating at 325° C)

SLIDING DOOR



RAILS



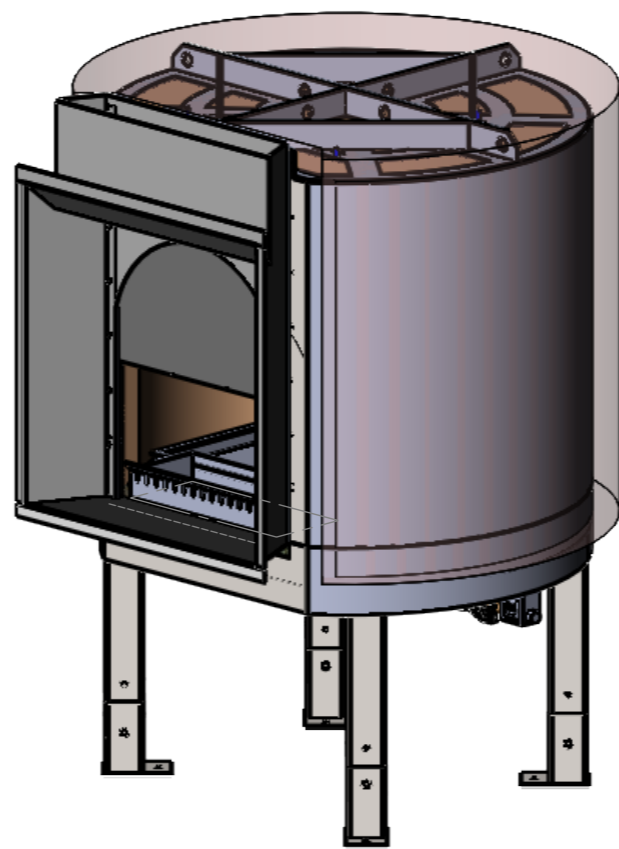
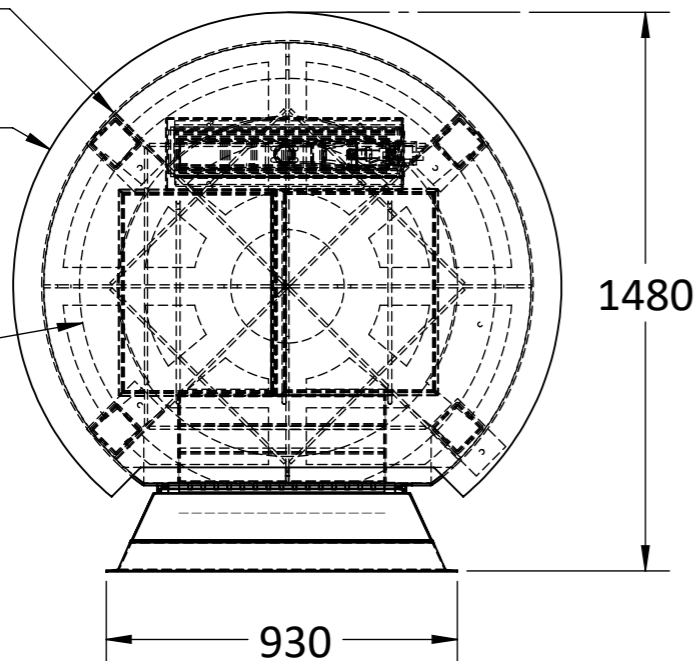
OVEN MASS:
TOP SECTION: ~965kgs.
BASE SECTION: ~630kgs.

FEATURES:
AUTOMATIC GAS SYSTEM
DRIP TRAYS & FIREGRATE
3 x HANGING RAILS (<12 DUCK)
EXHAUST OPTION FOR CANOPY
INTERNAL OVEN LIGHT.

R650(STEEL)

R725(O/ALL)

R550(ID)



OVERALL DIMENSION INCLUDES 50mm INSULATION +25mm AIR GAP

OFF.N°	2017-....
REFERENCE	SPECIFICATION SHEET DK1100JC
DESIGNER	
<small>COPYRIGHT THE INFORMATION CONTAINED IN THIS DRAWING IS THE SOLE PROPERTY OF PHOENIX PRIME FOCUS PTY LTD. ANY REPRODUCTION IN PART OR AS A WHOLE WITHOUT THE WRITTEN PERMISSION OF PHOENIX PRIME FOCUS PTY LTD IS PROHIBITED.</small>	
Revision > 000	Date: 30-06-2017
Revision > 001	Date:
Revision > 002	Date:
ORDER	
DATE ORDER	
NOTES:	
STATUS	
<input type="checkbox"/> A	> Approved without notes
<input type="checkbox"/> B	> Approved with notes
<input type="checkbox"/> C	> Not compliant
Date:	
Signature:	
greg thomson +61 458 772 253 sales@phoenixfocus.com.au	

SYMBOL	SERVICE
	220/240V Single phase 10amp Wall socket req'd.
	Gas connection: Total 80mJ. (Nat.) (gas type tbd.)
	EXHAUST CONNECTION: Recomend CANOPY: opt.by request.

BRISBANE AUSTRALIA
PO BOX 1258
SPRING HILL

PHOENIX
PRIME FOCUS