

ORDER:

CITY: QING SHAN LAKE

CUSTOM OVEN
with Rotisserie

Revisione:	Data:
000	21-05-2021

fulvio.leschiutta@phoenixfocus.it

NOTES:

IT - QUESTO È UN DISEGNO COMMERCIALE - LE DIMENSIONI POSSONO CAMBIARE DURANTE LO SVILUPPO 3D PER LA PRODUZIONE
EN - THIS IS A COMMERCIAL DRAWING - DIMENSIONS MAY CHANGE DURING THE 3D TECHNICAL DEVELOPMENT
DE - DAS IST EIN ANGEBOTSZEICHNUNG - IM RAHMEN DER TECHNISCHEN AUFWARBEITUNG KÖNNEN ES ZU DETAILIERUNG KOMMEN
FR - CET- CI EST UN DESSIN COMMERCIAL - LES DIMENSIONS PEUVENT CHANGER PENDANT LE DÉVELOPPEMENT 3D POUR LA PRODUCTION

A STATUS

B > Approved without notes

C > Approved with notes

> Not compliant

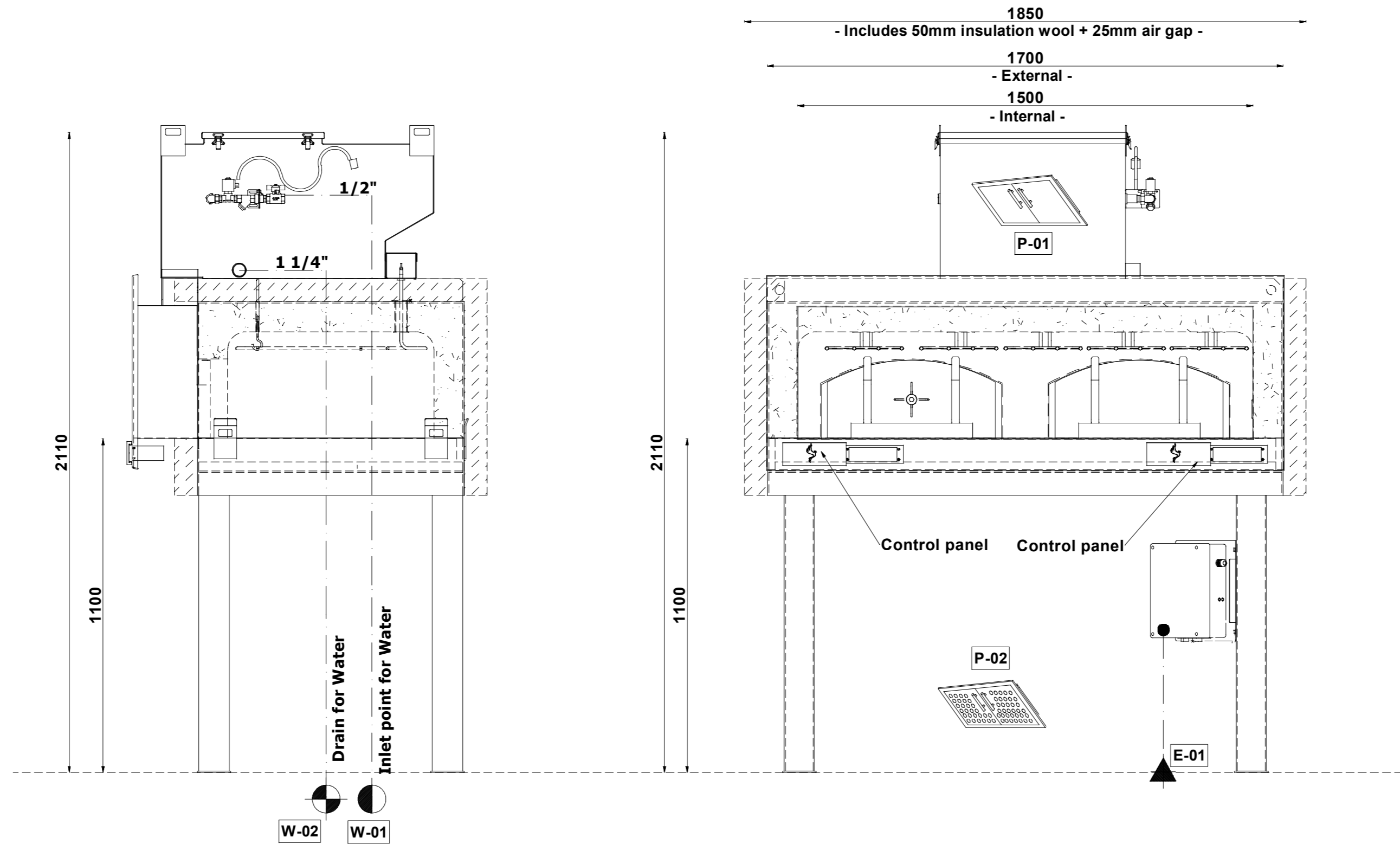
Date:

Signature:

PHOENIX S.r.l.
Via Rui, 5
Loc. Prà dei Risi
33080 - Zoppola (PN) - Italia

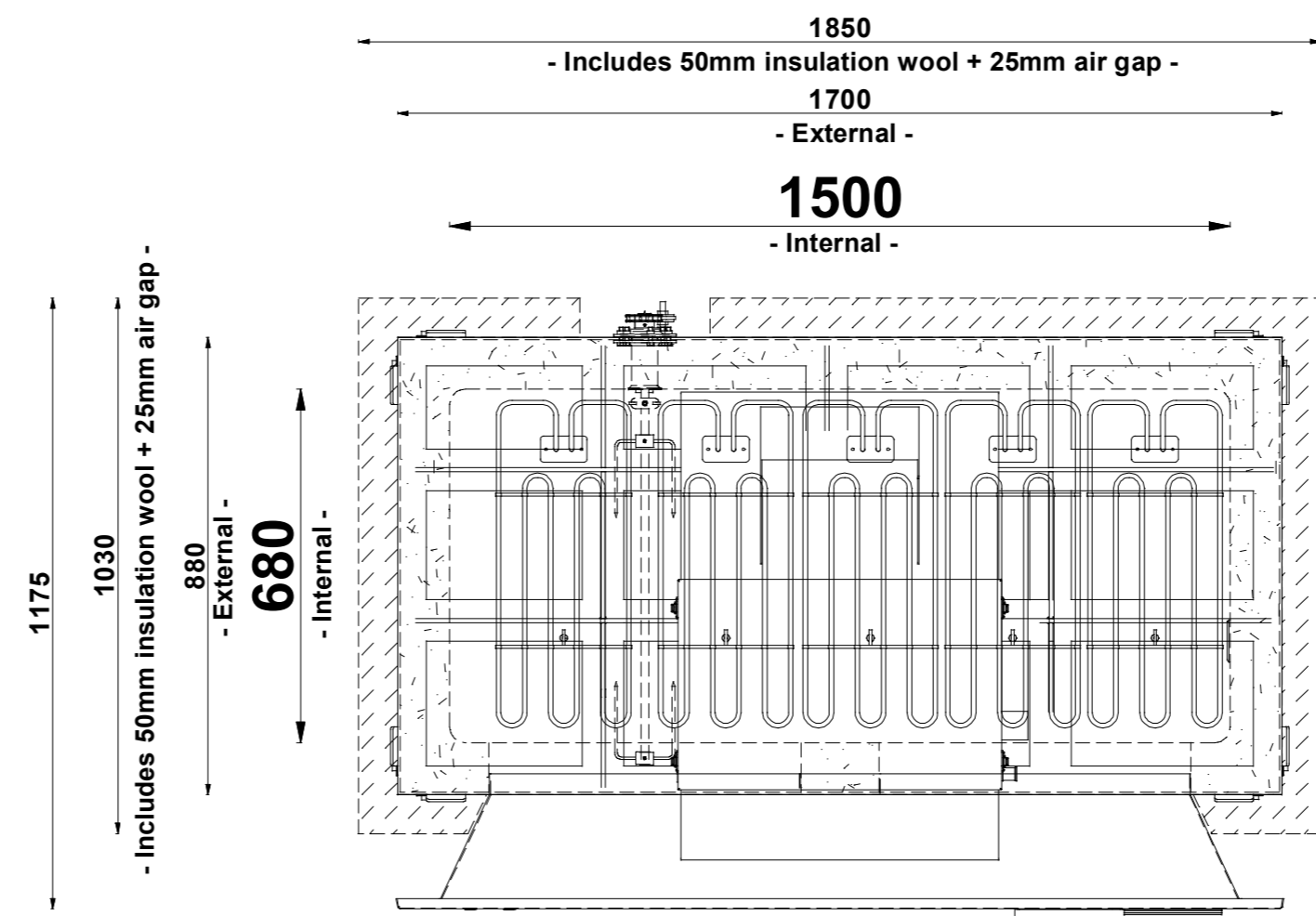
Tel.: +39 3475135641
fulvio.leschiutta@phoenixfocus.it

Tel. +61 468 424 789
rhyannon@phoenixfocus.com.au



- Services -

E-01		Electric connection: 18 Kw - 400 V - 3PH 25 Amp
Ex-01		Exhaust connection: 300x300 mm Universal flange 450lt/sec
P-02		Panel requirements: 1x lower panel under oven - this must be ventilated - min. size 600x600 mm
P-01		Panel requirements: 1x on upper right side next to the spray filter min. size 600x600 mm
W-02		Water connection Drain water connection 1 1/4" Copper or S/S to kitchen waste / tundish
W-01		Water connection Cold water connection for spray filter 1/2"



ADD - WES - 022